

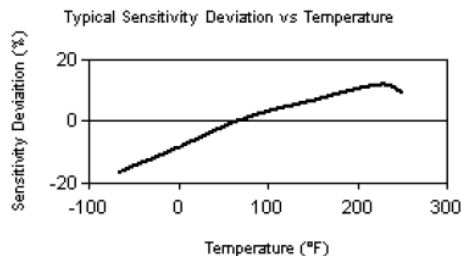
Accelerometer with armored integral cable

SM103

SPECIFICATIONS

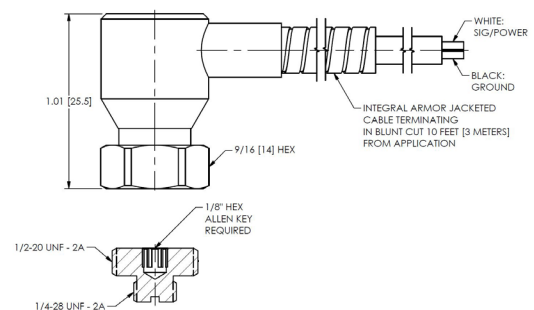
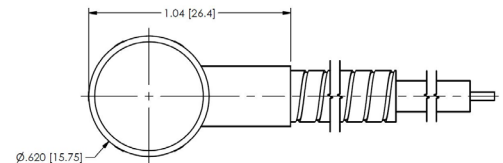
| | | |
|-------------------------------------|---|----------|
| Sensitivity, ±15% | 100 mV/g | |
| Acceleration range | 50 g | |
| Amplitude nonlinearity | 1% | |
| Frequency response, ±3 dB | 0.5 - 10,000 Hz | |
| Resonance frequency | 25 kHz | |
| Transverse sensitivity, max | 7% of axial | |
| Temperature response | see graph | |
| Power requirement: | | |
| Voltage source | 18 - 28 VDC | |
| Current regulating diode | 2 - 20 mA | |
| Electrical noise, equiv. g: | | |
| Broadband | 1 Hz to 10 kHz | 350 µg |
| Spectral | 10 Hz | 8 µg/√Hz |
| | 100 Hz | 5 µg/√Hz |
| | 1,000 Hz | 4 µg/√Hz |
| Output impedance, max | 150 Ω | |
| Bias output voltage | 8 to 12 VDC | |
| Grounding | case isolated, internally shielded | |
| Temperature range | -50° to +120°C | |
| Vibration limit | 500 g peak | |
| Shock limit | 5,000 g peak | |
| Sealing | hermetic | |
| Enclosure rating | IP67 | |
| Sensing element design | ceramic, shear | |
| Weight (without cable) | 31 grams | |
| Case material | stainless steel | |
| Mounting | 1/4-28 stud | |
| Integral cabling¹ | side exit, integral cable, polyurethane with stainless steel armor jacket, 10 ft. standard length | |

Notes: ¹ Other cable lengths may be specified by customer at time of order.
Accessories supplied: mounting base; calibration data (level 2)



Key features

- Low profile
- Pivoting base
- 10 ft. armored jacketed integral cable



Connections

| Function | Cable conductor color |
|--------------|-----------------------|
| power/signal | white |
| ground | black |

Note: Due to continuous process improvement, specifications are subject to change without notice.